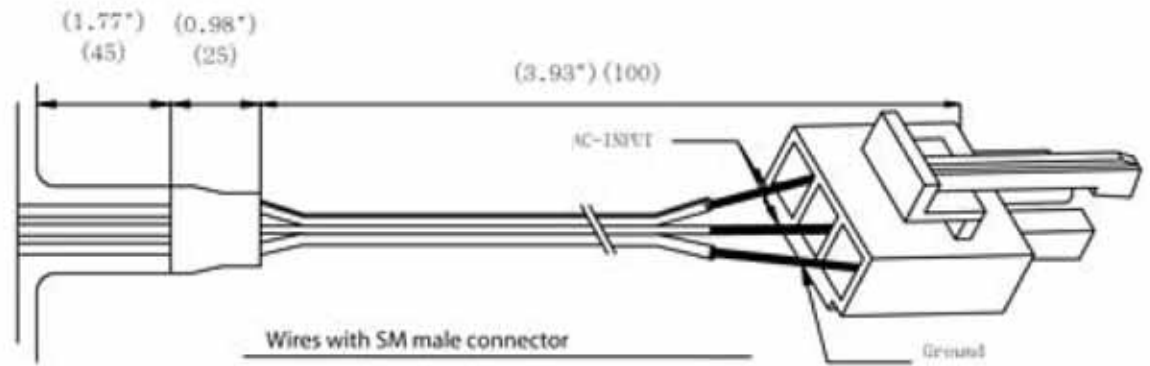
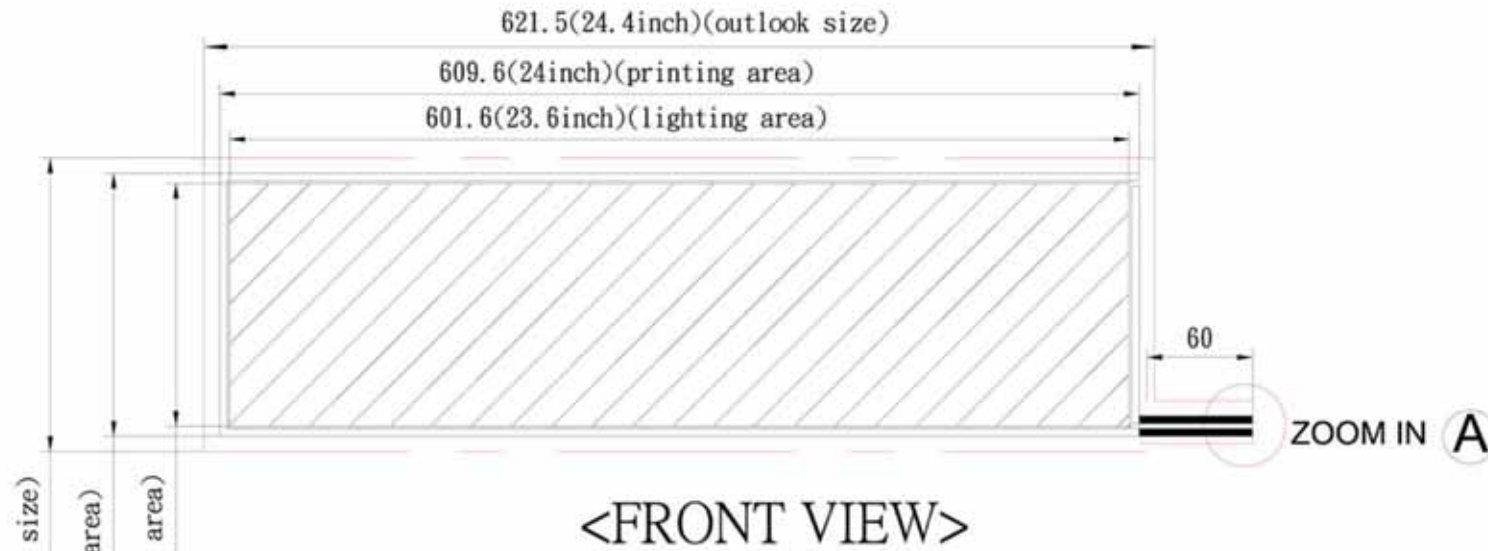


FRONT VIEW

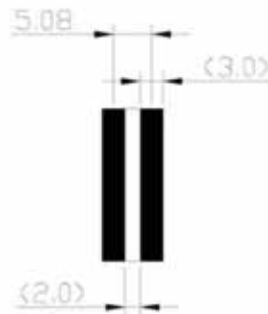


Part # AB 105-2  
 CeeLite LEC 2"x 24" 2-Wire Indoor Panel



Note :

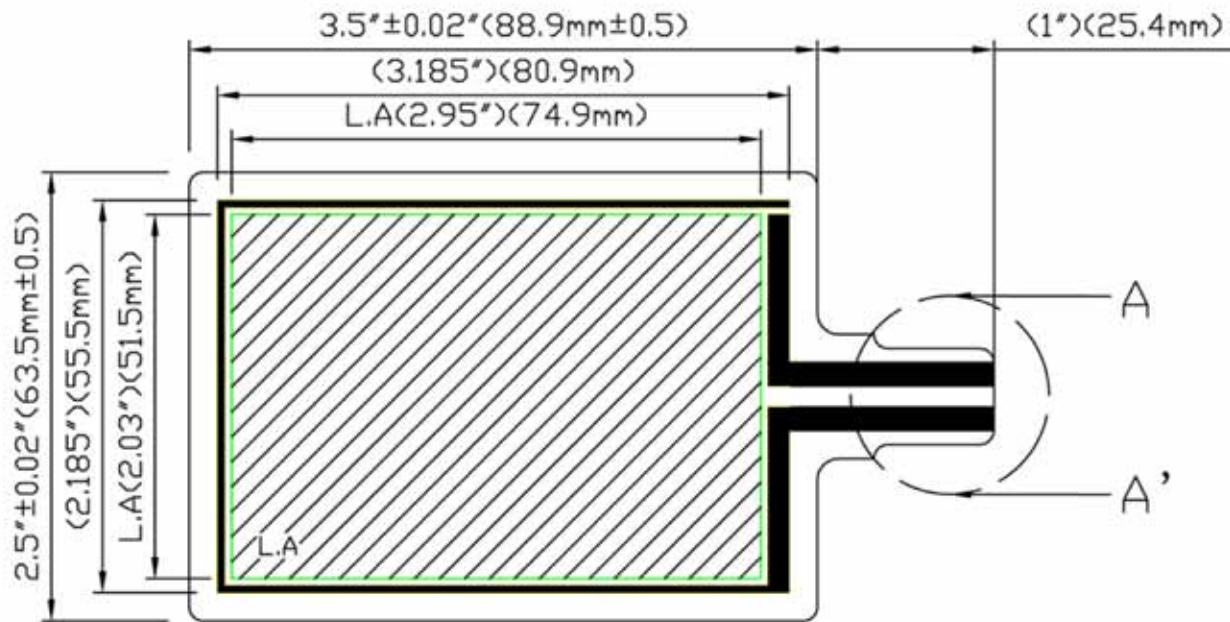
1. Lamination front and back side with 125  $\mu$ m thickness laminator, extend 3mm to envelope el lamp.
2. FPC terminator leads out 60mm.(excluding isolation tube)
3. FPC soldering with SM male connector and isolation tube.



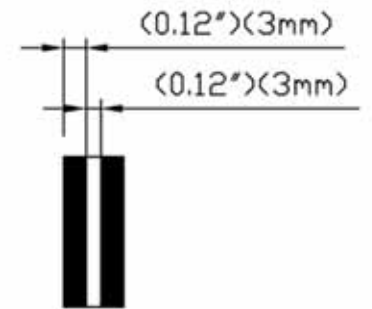
FPC A

Part # AB 110-2  
 CeeLite LEC 4.4"x 24.4" 2-Wire Indoor Panel

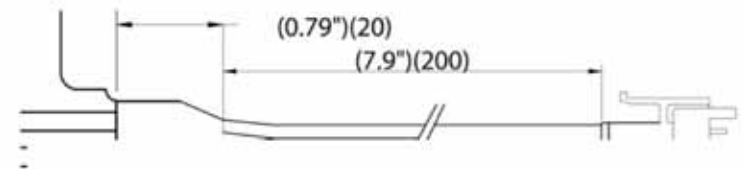
CEELITE<sup>®</sup>  
 Technologies, LLC  
 Inspired by Edison, Reinvented by CeeLite



< FRONT VIEW >



A-A' FPC terminal leads



Part # AB 005-2  
 CeeLite LEC 2.5"x 3.5" 2-Wire Indoor Panel

