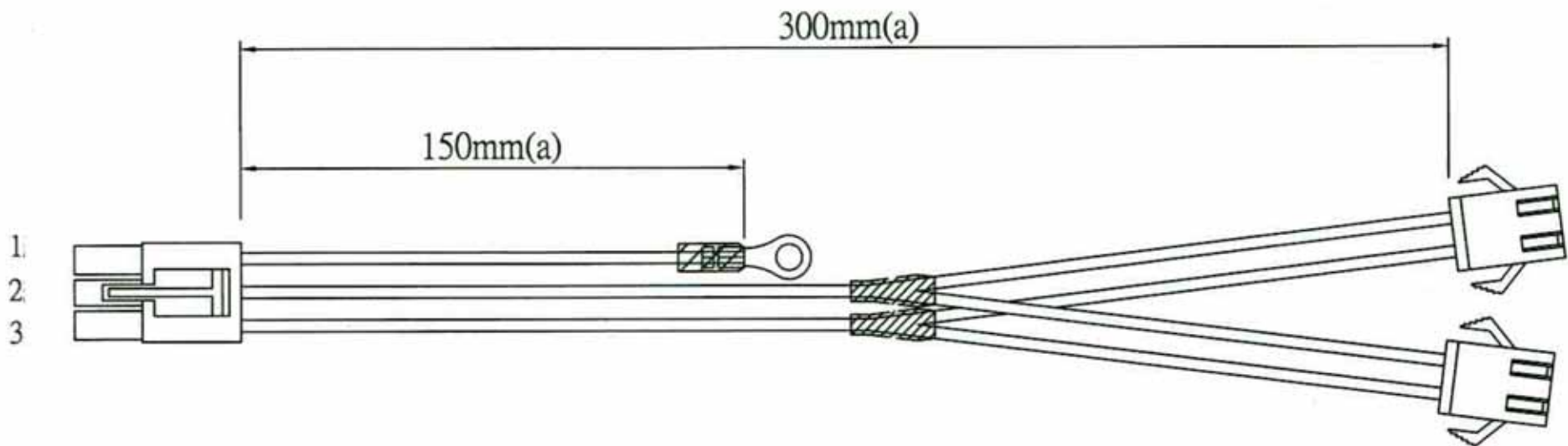


2-Wire to 3-Wire Adaptor

CEELITE



(a)	≤ 200 mm	± 5.0 mm
(a)	201~500 mm	± 10.0 mm
(a)	501~1000 mm	± 20.0 mm
(a)	>1000 mm	± 30.0 mm
(b)	1.0~3.0mm	+1.0/-0.5 mm
(b)	3.1~5.0mm	± 1.0 mm
(b)	> 5.0 mm	± 2.0 mm

3-Wire to 2-Wire Adaptor

CEE LITE