

Motion & Photo sensor

The following details technical specifications associated with the CeeLite™ system. Specifications include electrical, environmental, programming commands, register configuration, and packaging.

1.0 Description

Product Line Name		Accessory
Part Numbers		
Key Feature		Infrared sensor :Dual element pyroelectric Light sensor : CdS photocell
Detection range@25°C		Ceiling :5m @2.4m high Wall : 90° ,10m
Detectable speed		0.15 ~ 3.0 m/sec
Control option	Photo sensor	10 ~ 100 Lux enable to work .
	Motion sensor	IR motion sensor enable .
	Time delay	1 ~ 5 sec. delay action.
Mounting height		Ceiling : 1.8~3.0m Wall : 1.2~1.8m
Warm-up time		Approx. 50 sec
Signal output time		1~2.5 sec
Connector		USB (A type - 4 pin)

2.0 Electrical Specifications

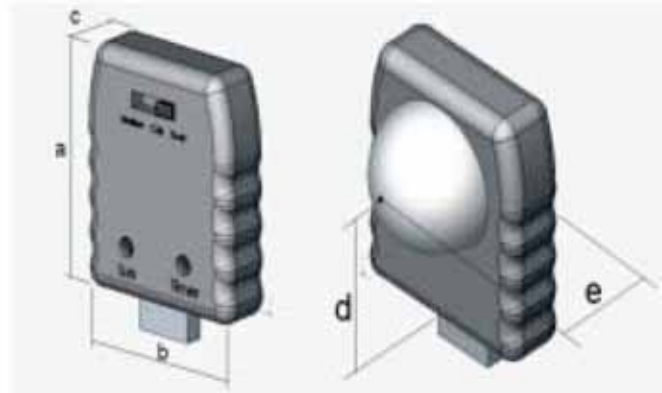
Operation power (Vcc)	5±1.5 VDC
Current Drain (Iw)	Standby : 750 μA , On : 900 μA
CdS resistance	35~65 KΩ @10 lux
CdS gamma value	Typ. 0.75, 10~100 lux
Signal output format	TTL open collector
Maximum power voltage	7 VDC
Maximum output voltage	30 VDC
Maximum output current	100 mA

3.0 Environmental Specification

Operation temperature	-20°C ~ 50°C
-----------------------	--------------

4.0 Dimension/Appearance Unit:mm

a	b	c	d	e	Fresnel lens
43	33	12	23	25	Φ=21mm Dome



4.0 Packing

- Each unit has its own unit box , attached within the package of the main product .
- Pack a large amount small unit box in a carton while shipping individually .

5.0 Instruction

- Ceiling Mount
Top View



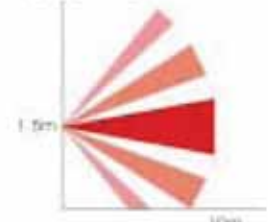
- Side View



- Wall Mount
Top View



- Side View



- Don't put the sensor on the vent of air conditioner , unstable temperature field will cause the error action .